

Non-Contact Interlock/Position Switch

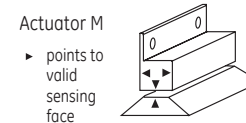
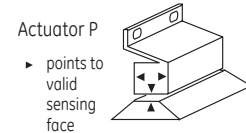
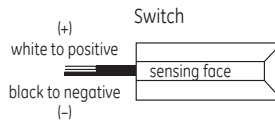
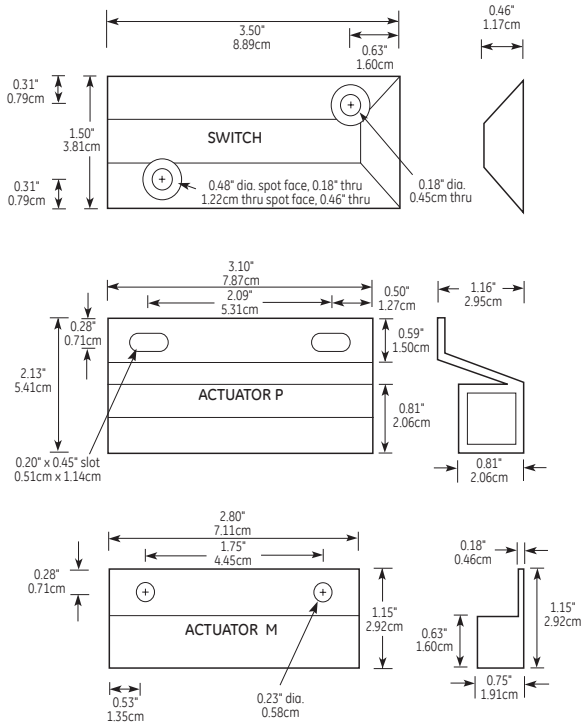


Applications

- Low Profile Requirements
- Overhead Doors
- Boom Trucks
- Emergency Vehicles
- Rugged Outdoor Use

General Specifications

Enclosure	Epoxy-coated aluminum
Temperature Range	-40°F to 180°F (-40°C to 80°C)
Environmental	Hermetically Sealed Contact Switch Encapsulated in Polyurethane
NEMA Rating	1, 2, 3, 4, 4X, 5, 6, 12
Protection Class	IP 67
Response Time	1 msec
Life Cycles	100,000 Under Full Load; Up to 200,000,000 Under Dry Circuit
Lead Types/O.D.	18/2 SJTOW (K) / 0.30" (0.76cm)
UL/CSA	All Models



INTERLOCK SWITCH
100 SERIES



Order Information	Electrical Specifications			DC ONLY				
Part Number	Contact ¹ Config.	Load Rating (DC)	Switching Voltage Maximum (DC)	Switching Current Maximum (DC)	Voltage Drop	Sense Range ² Nominal	Break Range Nominal	Lead Length ³
166-RM-06K	N.C.	100W	24V (@4.0A)	5.0A (@20V)	1.5V	1.6" (4.0cm)	2.1" (5.3cm)	6' (1.8m)
166-RN-06K ⁴	N.C.	100W	24V (@4.0A)	5.0A (@20V)	1.5V	Switch Only	Switch Only	6' (1.8m)
166-P	Actuator P Only							
150-Z	Actuator M Only							

Warning— Each electrical rating is an individual maximum and cannot be exceeded!

Note: This switch cannot be used for AC applications. In DC applications it is polarity sensitive white to positive, black to negative.

¹ Configuration with actuator away from the switch

² Proximity of ferrous materials usually reduces sense range — typically by 50%. The shape and type of material cause a wide diversity of effects. Testing is required to determine actual sense range for specific applications.

³ Armored cable available

⁴ Switch only

